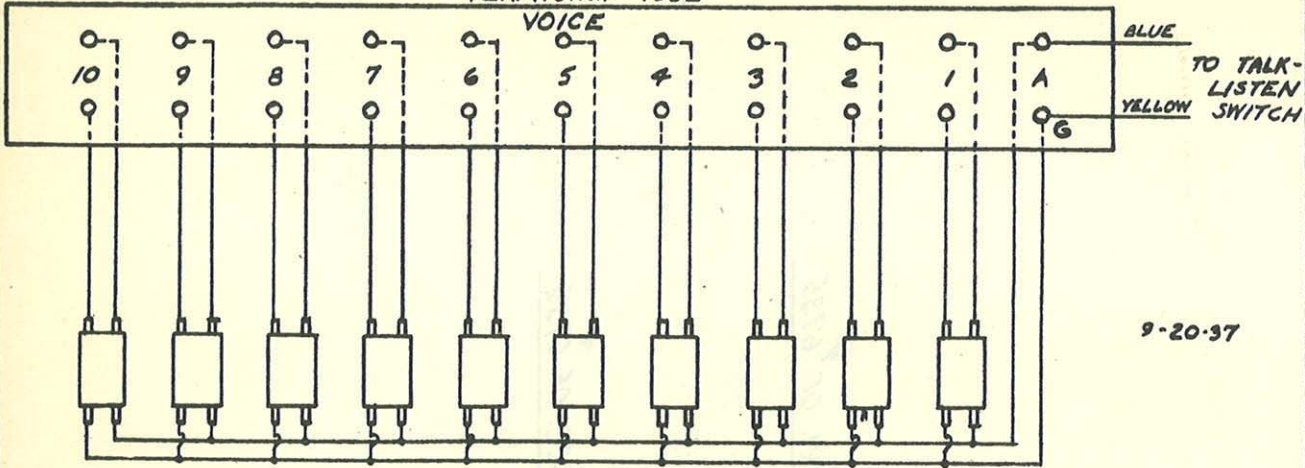


MODELS 145, W145, Early, OPERADIO MFG. CO.

Late
MODELS 160, W160

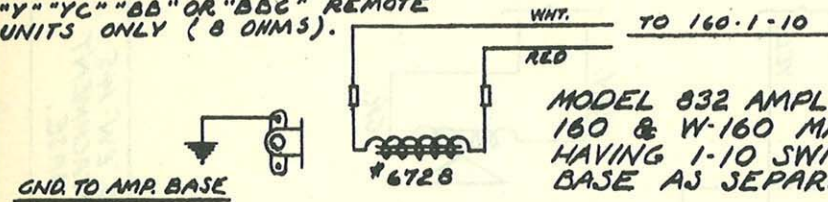
TERM. STRIP #7532



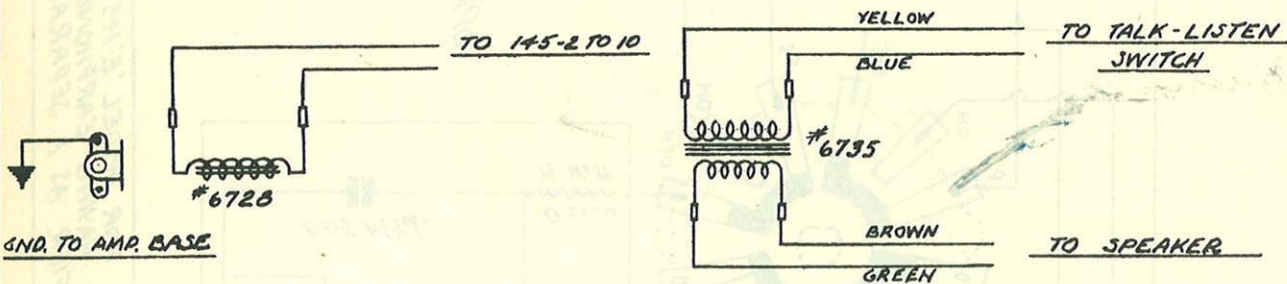
1-10 #7541-A SW. (D.P.S.T)

REAR VIEW WIRING

USED WITH ONE TO TEN MODEL "Y" "YC" "BB" OR "BAC" REMOTE UNITS ONLY (8 OHMS).

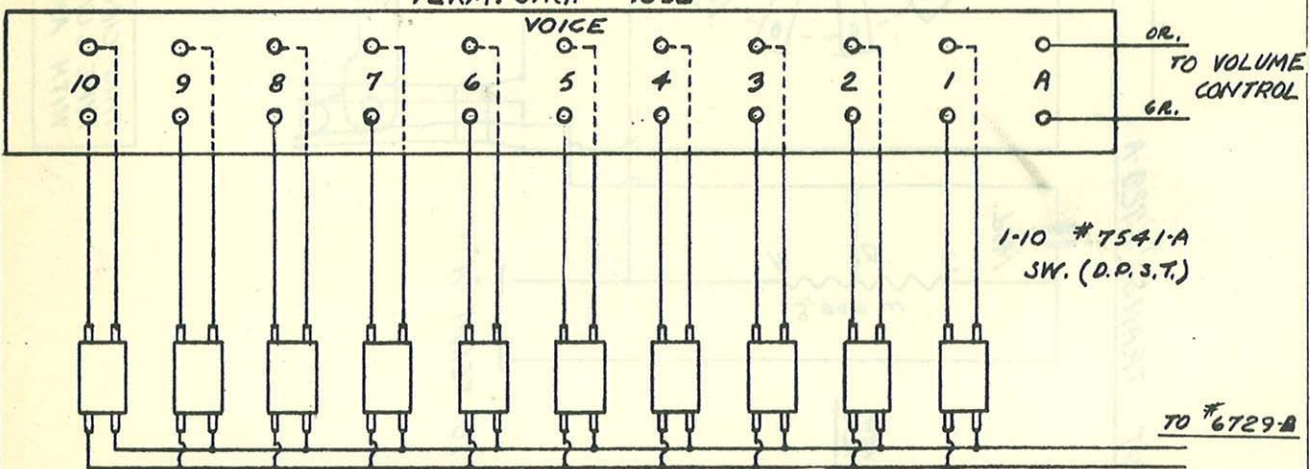


MODEL 832 AMPLIFIER IS USED ON MODEL 160 & W-160 MASTER UNITS (NEW TYPE D) HAVING 1-10 SWITCHES WITH AMPLIFIER BASE AS SEPARATE ASSEMBLY.



REAR VIEW WIRING

TERM. STRIP #7532



1-10 #7541-A SW. (D.P.S.T)

TO #6729-B

USED WITH TWO TO TEN OTHER MODEL MODEL 145 OR W-145 (TYPE C) UNITS. (EARLY OR LATE PRODUCTION). ALL HAVE 500 OHMS OUTPUT IMPED.

THIS CIRCUIT USED ON LATE TYPE 145 AND W-145 (TYPE -C) UNITS, 2-10 SWITCHES, HAVING SEPARATE MODEL 833 AMPLIFIER BASE IN HOUSING.

